



# MAX7453 Evaluation Kit

Evaluates: MAX7453

## General Description

The MAX7453 evaluation kit (EV kit) evaluates the MAX7453, a low-cost, triple-channel video reconstruction filter for S-video and CVBS video-signal applications. The EV kit operates from a 5V single-supply voltage. The MAX7453 EV kit's video input signals are AC-coupled, while the video output signals can be AC- or DC-coupled.

## Features

- ◆ 5V Single-Supply Voltage
- ◆ Compatible with Standard Video Test Equipment
- ◆ Standard 75Ω Input/Output Terminations
- ◆ AC-Coupled Inputs
- ◆ AC- or DC-Coupled Outputs
- ◆ Surface-Mount Construction
- ◆ Fully Assembled and Tested

## Component List

DESIGNATION	QTY	DESCRIPTION
C1	1	1μF ±10%, 16V X7R ceramic capacitor (0603) Murata GRM188R71C105K
C2, C3, C4	3	0.1μF ±10%, 16V X7R ceramic capacitors (0603) Murata GRM188R71C104K
C5–C8	4	220μF ±20%, 6.3V aluminum electrolytic capacitors (6.3mm x 6mm) SANYO 6CV220AX
C_IN, C_OUT, CV_OUT1, CV_OUT2, Y_IN, Y_OUT	6	75Ω BNC PCB-mount connectors
CIN, COUT, CVOUT, YIN, YOUT	5	Mini test points (red)
GND	2	Mini test points (black)
JU1–JU4	4	2-pin headers, 0.1in centers
R1–R6	6	75Ω ±1% resistors (0603)
U1	1	Maxim triple-channel video reconstruction filter and buffer for composite and Y/C outputs <b>MAX7453CSA+</b> (8-pin SO)
—	4	Shunts
—	1	PCB: MAX7453 Evaluation Kit+

## Ordering Information

PART	TYPE
MAX7453EVKIT+	EV Kit

+ Denotes lead-free and RoHS-compliant.

## Component Suppliers

SUPPLIER	PHONE	WEBSITE
Murata Mfg. Co., Ltd.	770-436-1300	www.murata.com
SANYO NA Corp.	619-661-6835	www.sanyodevice.com

**Note:** Indicate that you are using the MAX7453 when contacting these component suppliers.

# MAX7453 Evaluation Kit

## Quick Start

### Recommended Equipment

Before beginning, the following equipment is needed:

- 5V DC power supply (VCC)
- Video signal generator (e.g., Tektronix TG2000 or similar)
- Video measurement equipment (e.g., Tektronix VM700A or similar)

### Procedure

The MAX7453 EV kit is fully assembled and tested. Follow the steps below to verify board operation. **Caution: Do not turn on the power supply until all connections are completed.**

- 1) Verify that no shunts are installed across jumpers JU1–JU4 (AC-coupled outputs).
- 2) Connect the luma output from the video signal generator to the Y\_IN BNC connector on the EV kit.
- 3) Connect the chroma output from the video signal generator to the C\_IN BNC connector on the EV kit.
- 4) Connect the input of the video measurement equipment to the Y\_OUT, C\_OUT, CV\_OUT1, or CV\_OUT2 BNC connectors on the EV kit.
- 5) Connect the 5V supply to the VCC pad on the EV kit. Connect the power-supply ground to the GND pad on the EV kit.
- 6) Set the signal generator for the desired video signal, such as multiburst.
- 7) Turn on the 5V DC power supply.
- 8) Analyze the video output signals with the video measurement equipment.

## Detailed Description

The MAX7453 EV kit evaluates the MAX7453 triple-channel video reconstruction filter and buffer. The EV kit operates from a 5V single-supply voltage.

The MAX7453 EV kit uses 0.1 $\mu$ F ceramic capacitors to AC-couple the video input signals to the YIN and CIN input pins of the MAX7453. The input capacitor stores a DC level such that the outputs are clamped to the appropriate DC voltage level. Both video input terminals have a 75 $\Omega$  termination to ground.

The MAX7453 EV kit video output signals can be DC- or AC-coupled. At default, all jumpers (JU1–JU4) have no shunts installed and each of the outputs are configured to drive AC-coupled video loads. As configured, YOUT and COUT each drive a 150 $\Omega$  video (75 $\Omega$  backmatch resistor plus a standard 75 $\Omega$  video cable). The composite video output CVOUT drives two 150 $\Omega$  video loads.

### JU1–JU4 Jumper Selection (Output Coupling)

The MAX7453 EV kit provides jumpers JU1–JU4 to configure the video outputs to AC- or DC-coupling. At default, each of the MAX7453's AC-coupled outputs include a 220 $\mu$ F series capacitor. To drive the output video load directly, short the AC-coupling capacitor by placing a shunt across the provided jumper. See Table 1 for shunt positions.

**Table 1. JU1–JU4 Jumper Selection (C\_OUT, CV\_OUT1, CV\_OUT2, Y\_OUT)**

SHUNT POSITION	VIDEO OUTPUT'S COUPLING CONFIGURATION
Installed	DC-coupling
Not installed*	AC-coupling

\*Default position.

# MAX7453 Evaluation Kit

Evaluates: MAX7453

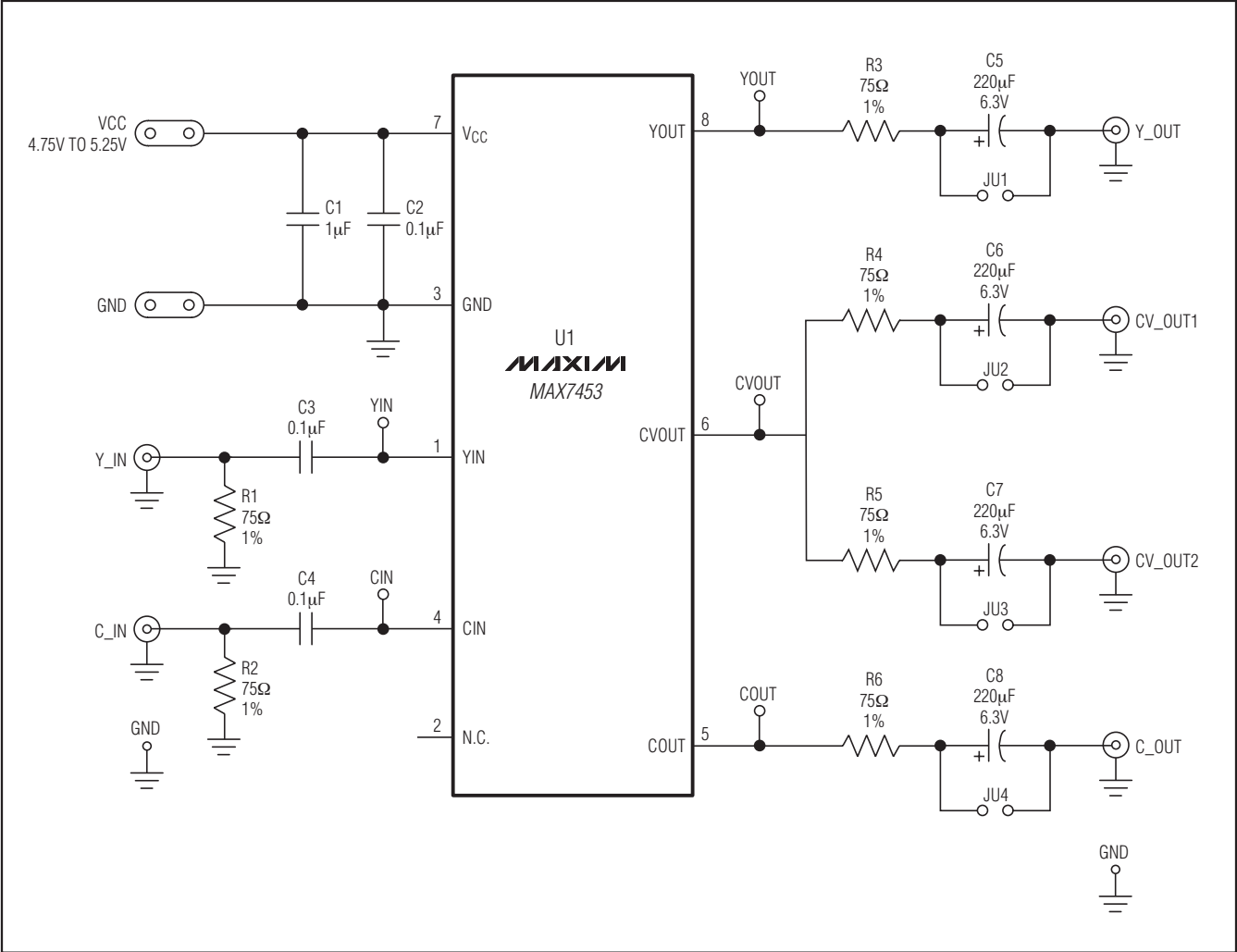


Figure 1. MAX7453 EV Kit Schematic

# MAX7453 Evaluation Kit

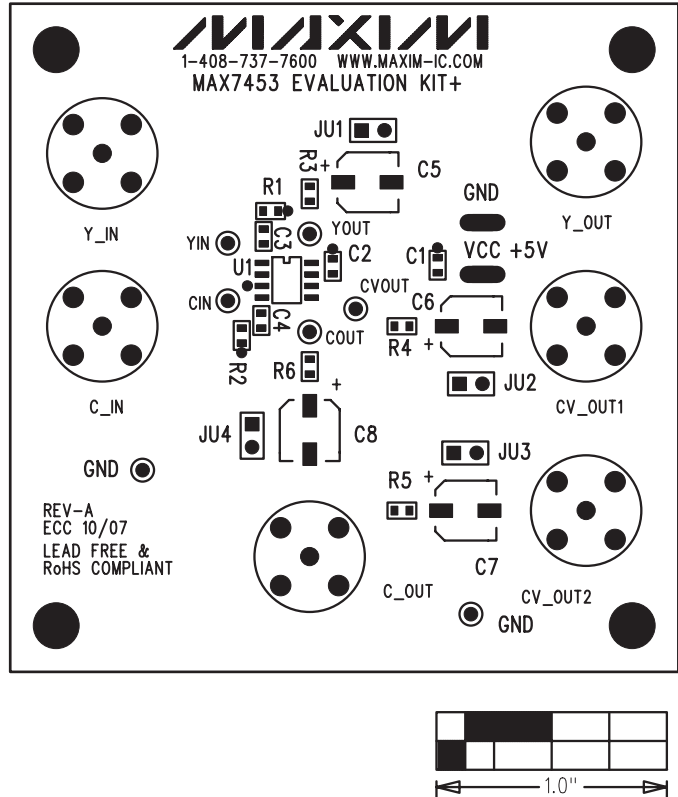


Figure 2. MAX7453 EV Kit Component Placement Guide—Top Silkscreen

# MAX7453 Evaluation Kit

Evaluates: MAX7453

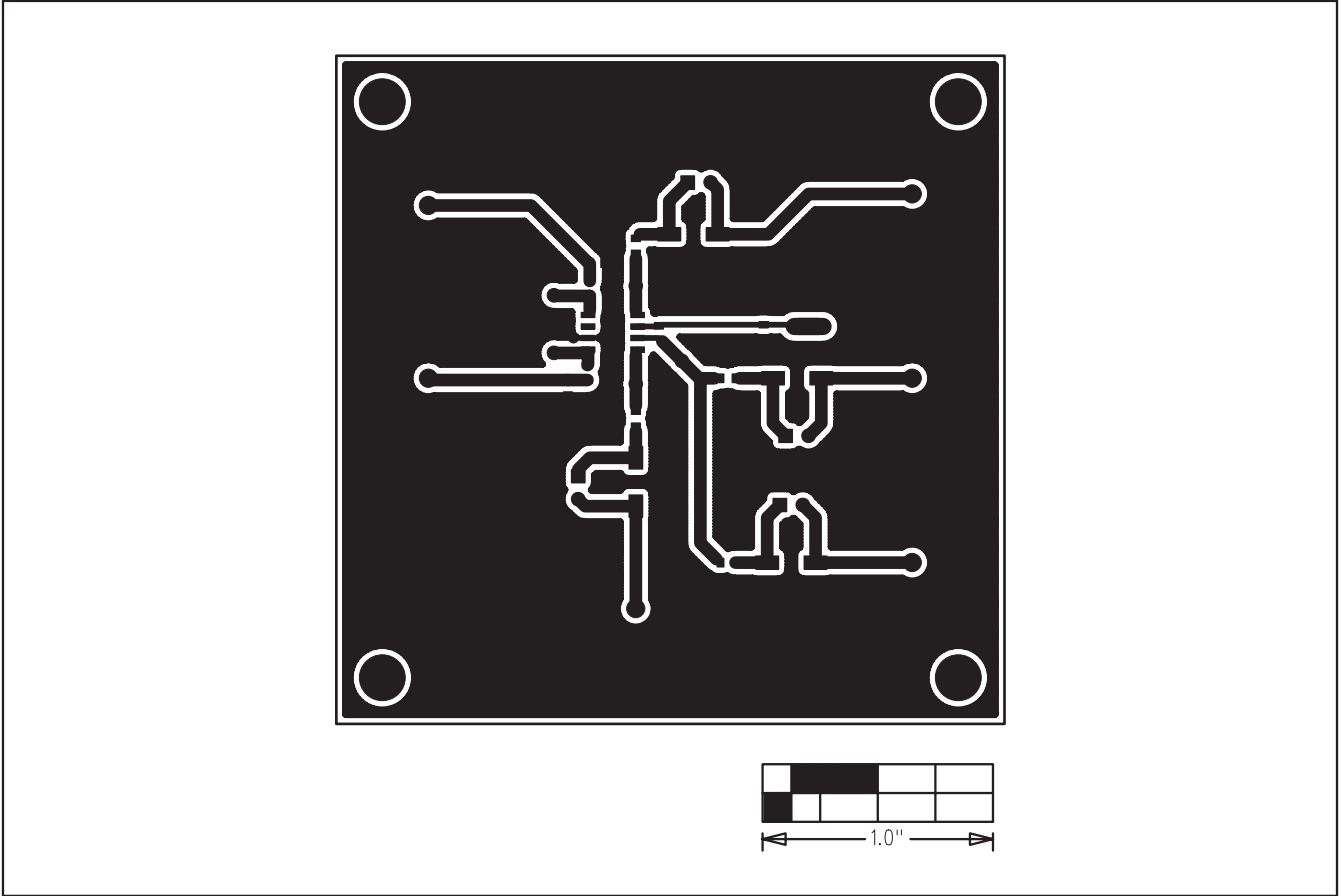


Figure 3. MAX7453 EV Kit PCB Layout—Component Side

# MAX7453 Evaluation Kit

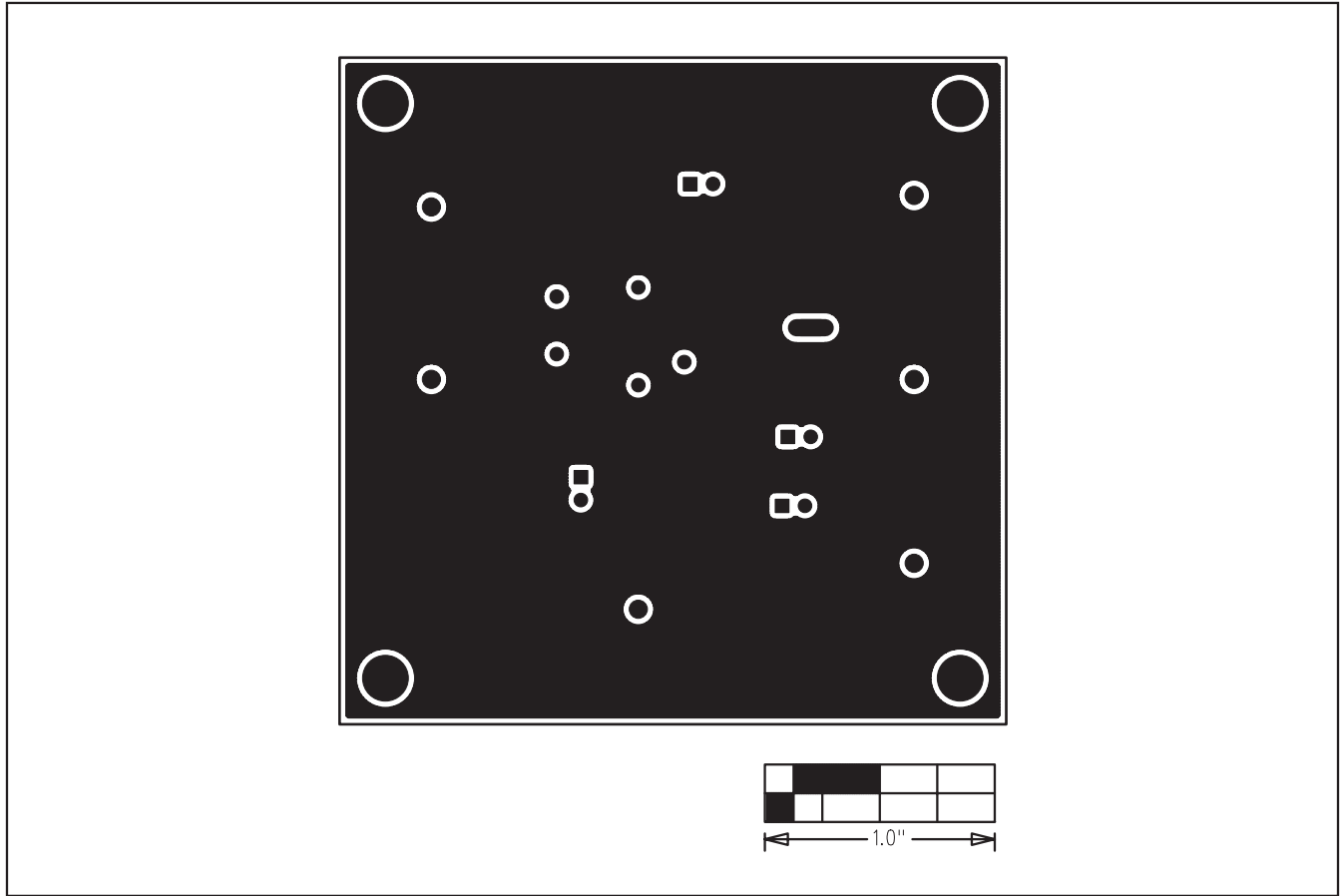


Figure 4. MAX7453 EV Kit PCB Layout—Solder Side

Maxim cannot assume responsibility for use of any circuitry other than circuitry entirely embodied in a Maxim product. No circuit patent licenses are implied. Maxim reserves the right to change the circuitry and specifications without notice at any time.

6 \_\_\_\_\_ **Maxim Integrated Products, 120 San Gabriel Drive, Sunnyvale, CA 94086 408-737-7600**